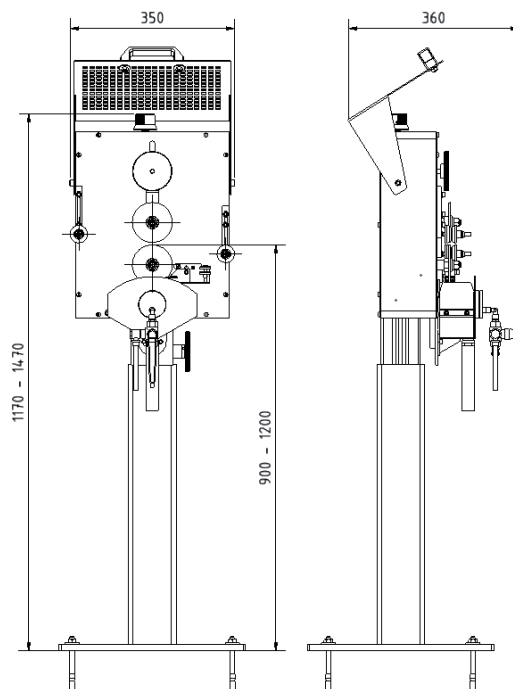


traction-driven printer



Type of machine	CP1Z
Type of printing	direct printing
Drive	no
Automatical synchronisation with line	no
Number of printing stations	1
Printing direction	l. → r. / r. → l.
Maximum printing diameter	Ø 0,8 mm - 25 mm
Lift column manual adjustable	yes
Print height adjustment	900 mm - 1200 mm
Maximum printing speed without ink pump	150 m/min
Maximum printing speed with ink pump	500 m/min
Printing wheel diameter	Ø 86 mm
Mounting hole diameter	12,7 mm
Ink pump system	optional
Suitable for plane printing wheels	yes
Suitable for concave printing wheels	yes
Suitable for embossing/indenting wheels	yes
Printing simulator	no
Inline-stroboskop lamp(synchronized)	no
Viscosity control system	no
Viscosity unit for double ink pump system	no
Second ink pump unit for quick ink change	optional
Movable machine	optional
Power supply	400 V, 50 Hz, 3 Ph
Weight machine + pump	approx. 40 kg + 23 kg



A traction-driven printing machine which uses the direct gravure method. Suitable for the use/application up to 150 m/min without ink pump, up to 500 m/min with ink pump. This machine is particularly adapted to the printing of cables, hoses, tubes and tapes. The CP 1Z can be used as an embossing machine.

RSD TECHNIK GmbH

Walter-Wetzel-Straße 2 • 79588 Efringen-Kirchen - Germany • Phone +49 7628 802 0
 Fax +49 7628 802 80 Mail: sales@rsdtechnik.de • Web: www.rsdtechnik.com